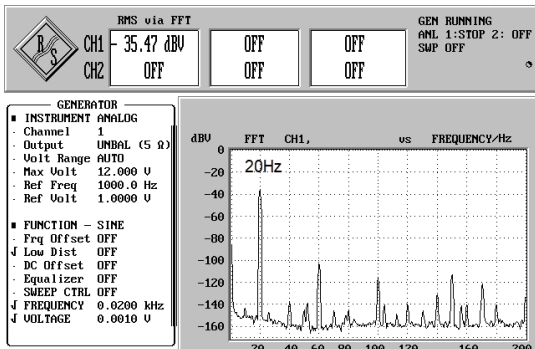
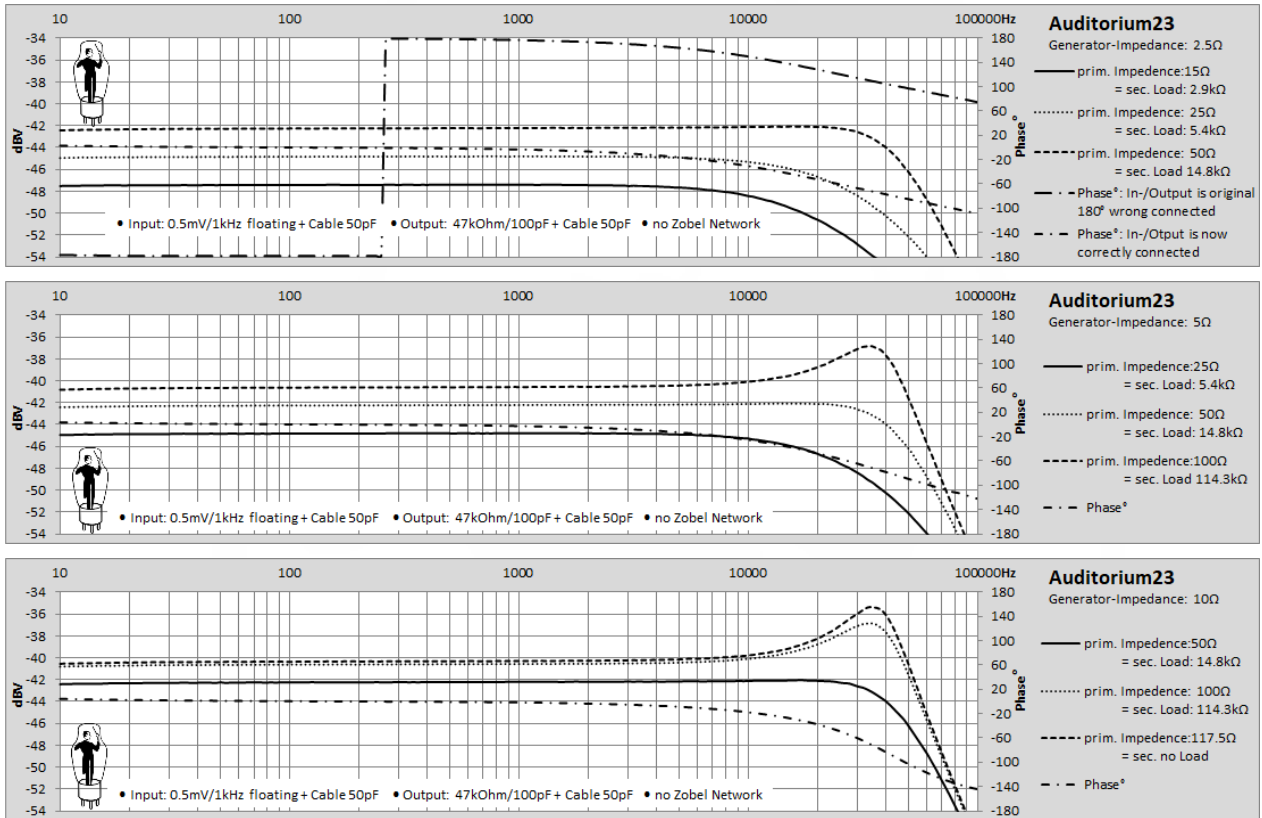
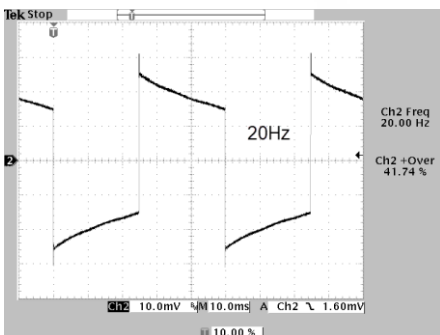


# Auditorium23 1:20 MC-Transformer

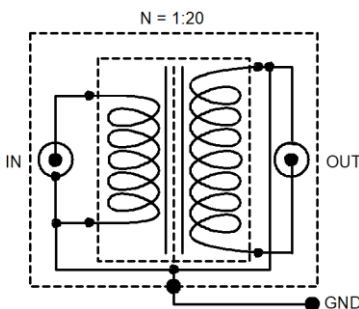
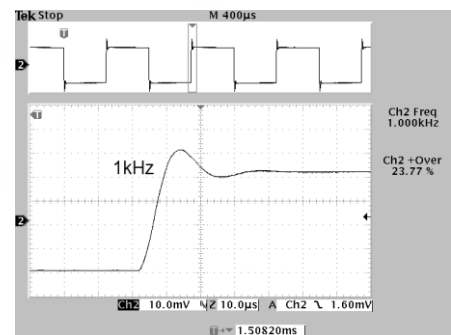
This is not the result of a scientific measurement, just DIY-Information to choose the desired MC-Transformer



Input: 1.0mV<sub>RMS</sub>/5Ω + Cable 50pF Output: 47kΩ/100pF + Cable 50pF (no Impedance Correction, no Zobel-Network)



Input: 1.0mV<sub>RMS</sub>/15Ω + Cable 50pF Output: 47kΩ/100pF + Cable 50pF (no Impedance Correction, no Zobel-Network)



- In-/Output signal is original factory in 180° phase connected !
- Turns Ratio (N): 1:20
- Prim. Inductance: (L<sub>p</sub>): 0.5H/100Hz (Output open)
- Noise-Shield between prim./sec. Windings

- THD:	20Hz	~0.034%
	1kHz	~0.003%
	10kHz	~0.001%

